

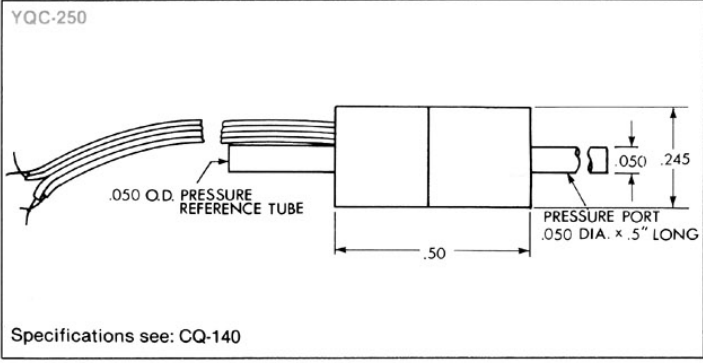
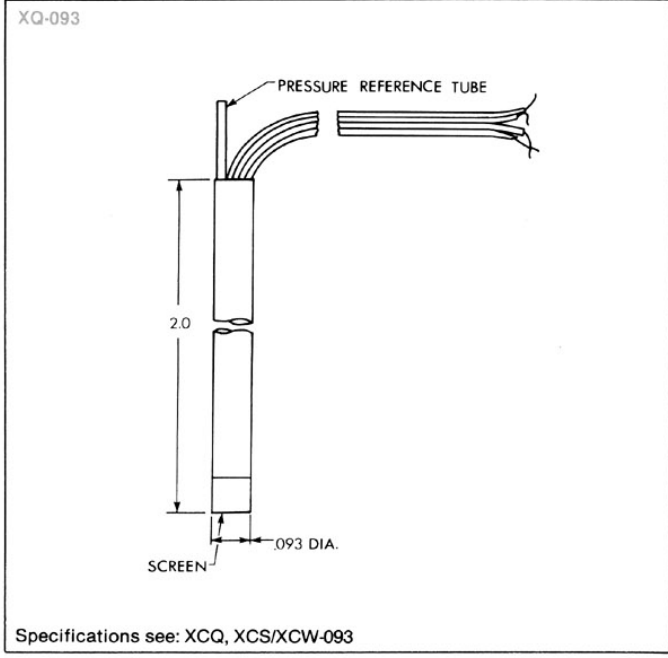
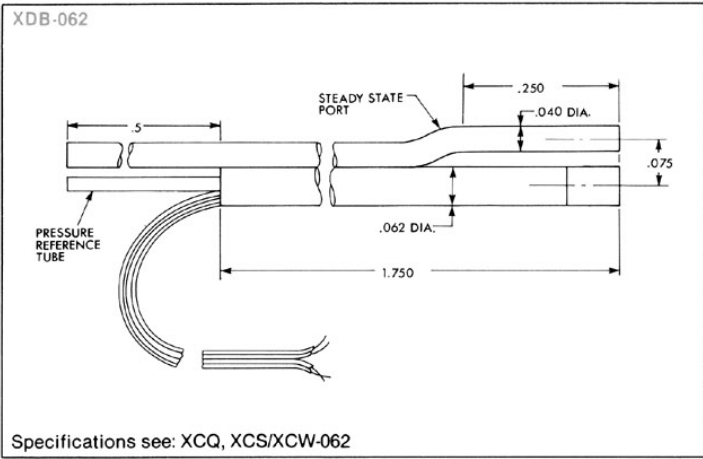
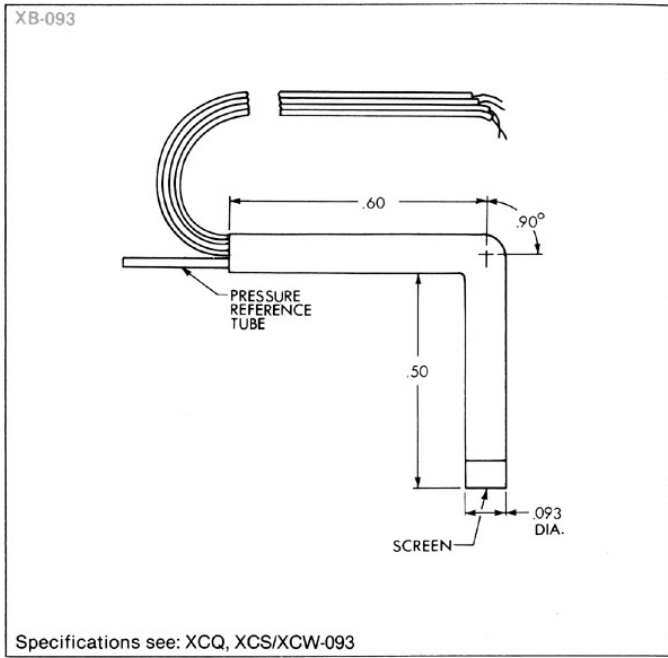
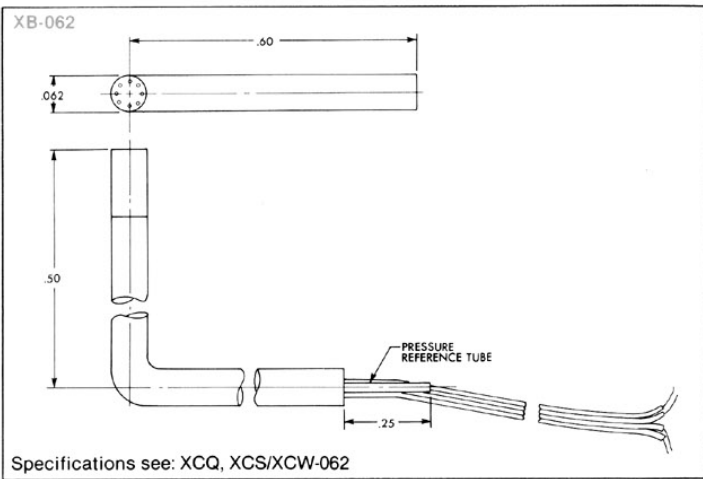
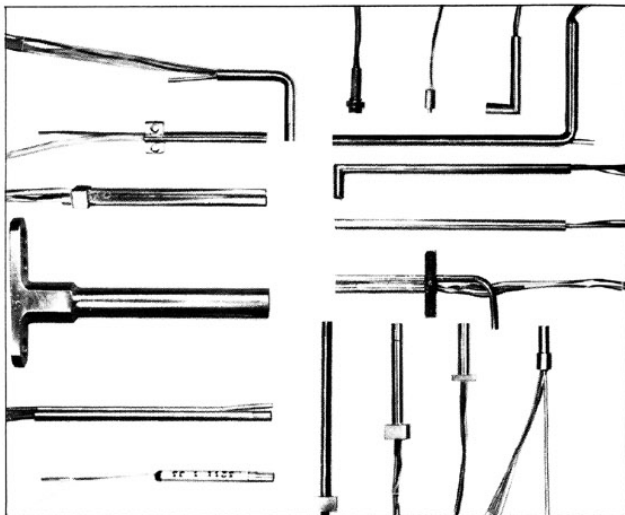
Integrated Sensor Pressure Transducers are ideally suited for adaptation into custom packages.

The probes illustrated represent a sampling of hundreds of probes designed together by Kulite and our customers to meet a specific application. They are representative of our capability to provide custom instrumentation suited to the needs of the user.

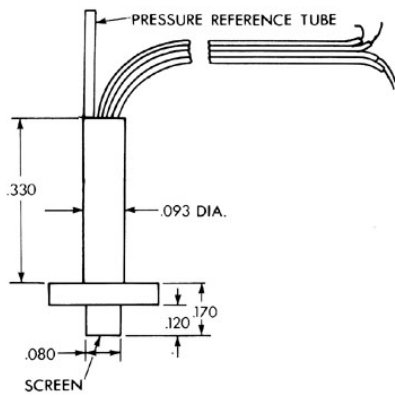
ORDERING INFORMATION

Probes should be ordered by type, and reference must be made to the relevant electrical performance specifications, for example:

- XB-4-062 Mechanical Configuration
- XCW-062-5 Performance Specification

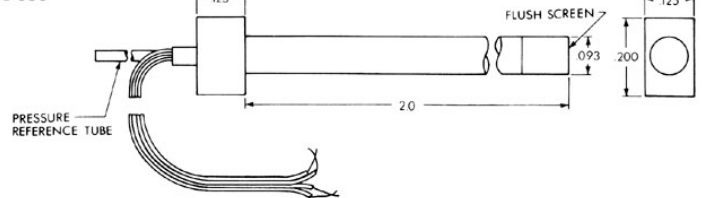


XS-080



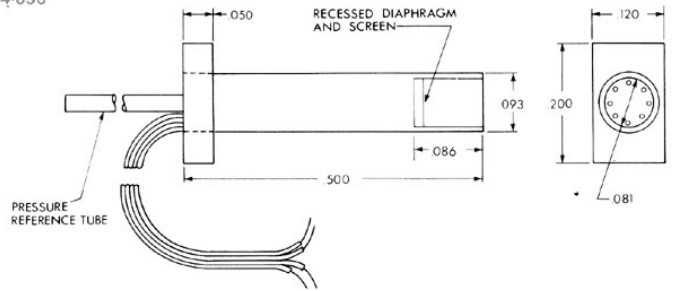
Specifications see: XCQ-080

XC-5-093



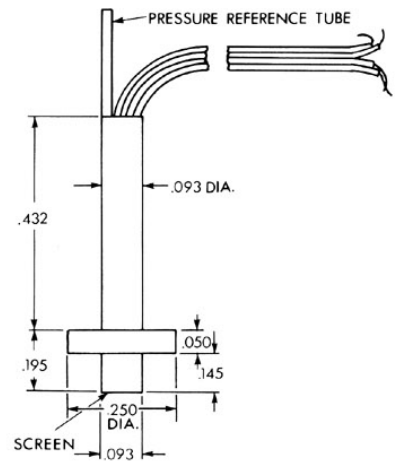
Specifications see: XCQ, XCS/XCW-093

XC-4-093



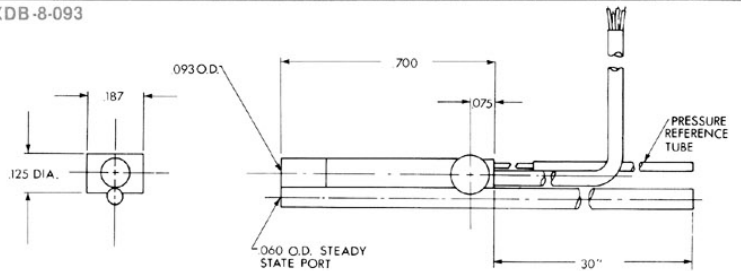
Specifications see: XCQ, XCS/XCW-093

XS-093



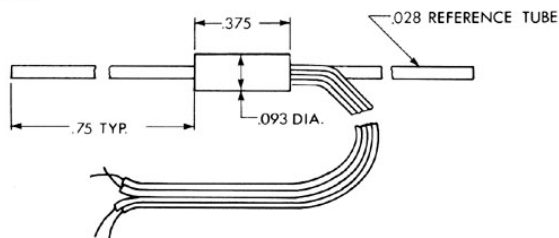
Specifications see: XCQ, XCS/XCW-093

XDB-8-093



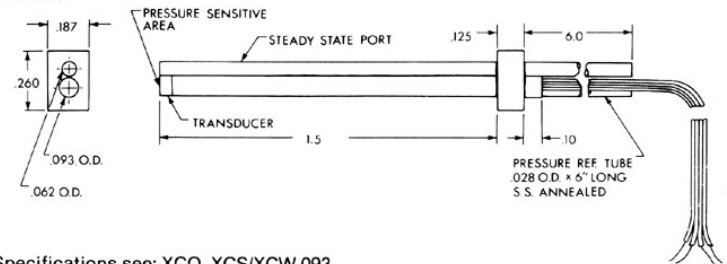
Specifications see: XCQ, XCS/XCW-093

YC-093



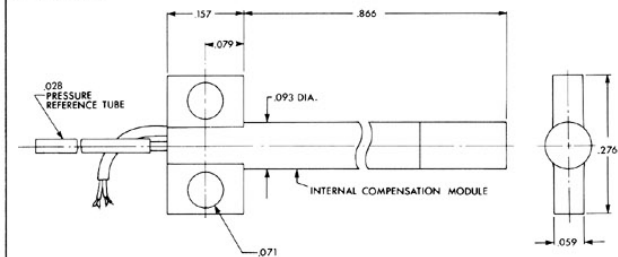
Specifications see: XCQ, XCS/XCW-093

XDB-093



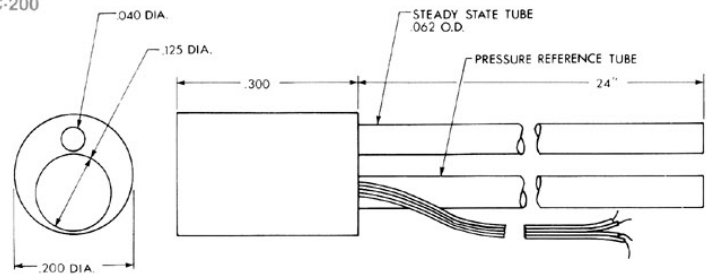
Specifications see: XCQ, XCS/XCW-093

XC-10-093



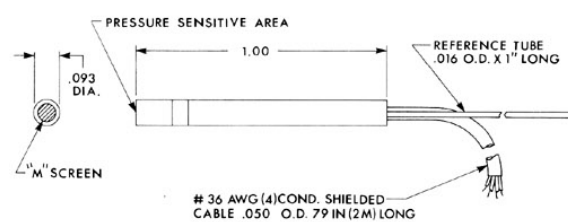
Specifications see: XCQ, XCS/XCW-093

XC-200



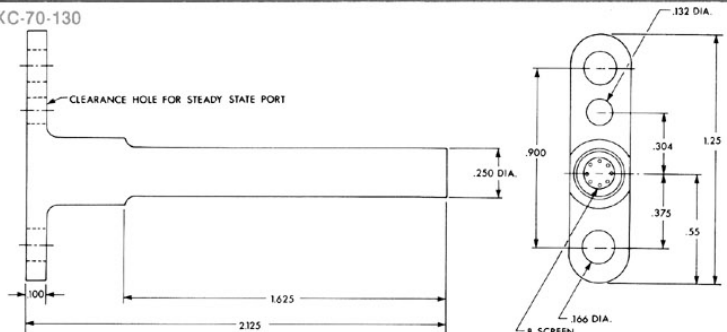
Specifications see: CQ-140

XC-77-093



Specifications see: XCQ, XCS/XCW-093

XC-70-130



Specifications see: CQ-140, XCE-152