

METRIC INSTALLATION OF MINIATURE THREADED AND STANDARD THREADED SERIES TRANSDUCERS

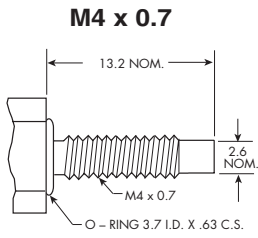


FIG. 1 (a)

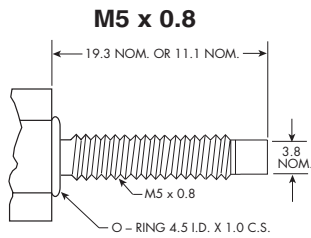


FIG. 1 (b)

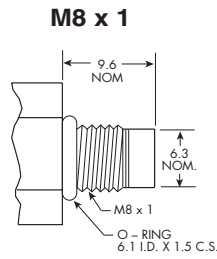


FIG. 1 (c)

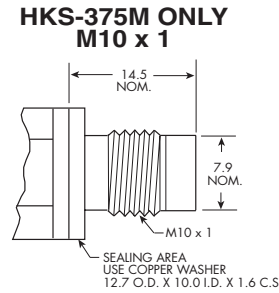


FIG. 1 (d)

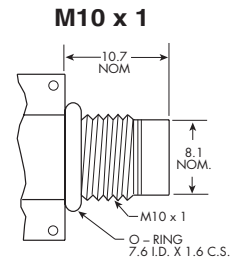


FIG. 1 (e)

For proper mounting of Figures 1(e), an ISO7320 port is required. The detail for this port is shown in Fig. 2 (e) and Fig. 2 (e) Detail. Mounting torque for the transducers is listed below.

M4 x 0.7

15 Inch Pounds (Max.)

M5 x 0.8

15 Inch Pounds (Max.)

M8 x 1

75 Inch pounds (Max.)

M10 x 1

80-120 Inch Pounds

M10 x 1

80-120 Inch Pounds

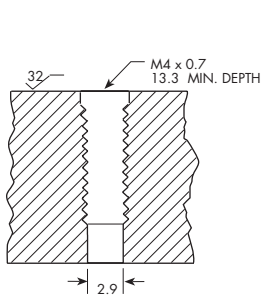


FIG. 2 (a)

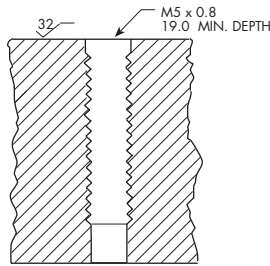


FIG. 2 (b)

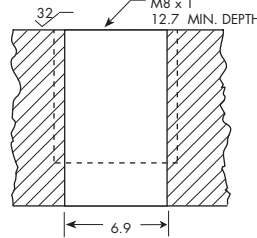


FIG. 2 (f)

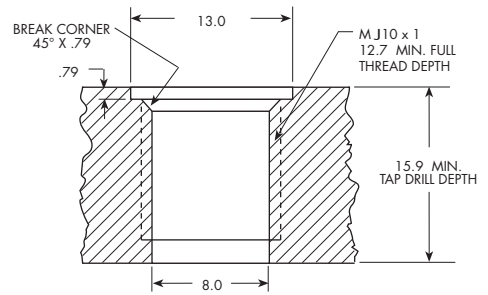


FIG. 2 (d)
HKS-375M ONLY

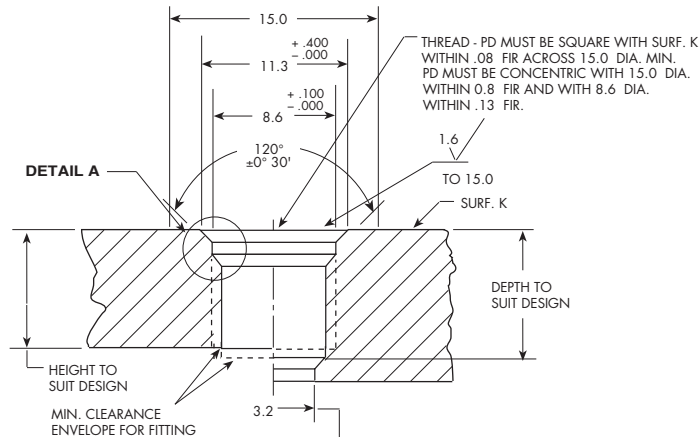


FIG. 2 (c)
MJ8 x 1

MIN. DIA. FOR UNRESTRICTED FLOW OF FLUID MAY BE ANY SIZE OR SHAPE PROVIDED CLEARANCE IS MAINTAINED FOR FITTING

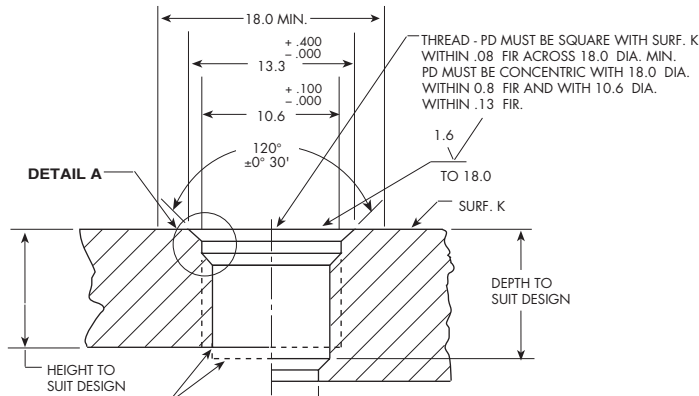


FIG. 2 (e)
MJ10 x 1

MIN. DIA. FOR UNRESTRICTED FLOW OF FLUID MAY BE ANY SIZE OR SHAPE PROVIDED CLEARANCE IS MAINTAINED FOR FITTING

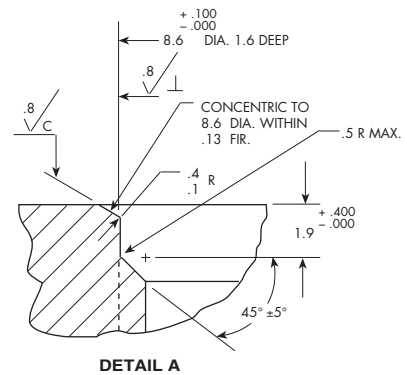


FIG. 2 (c) DETAIL

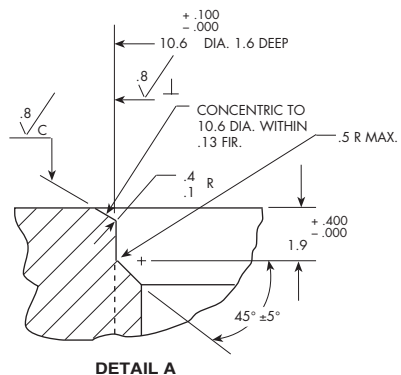


FIG. 2 (e) DETAIL

(C)