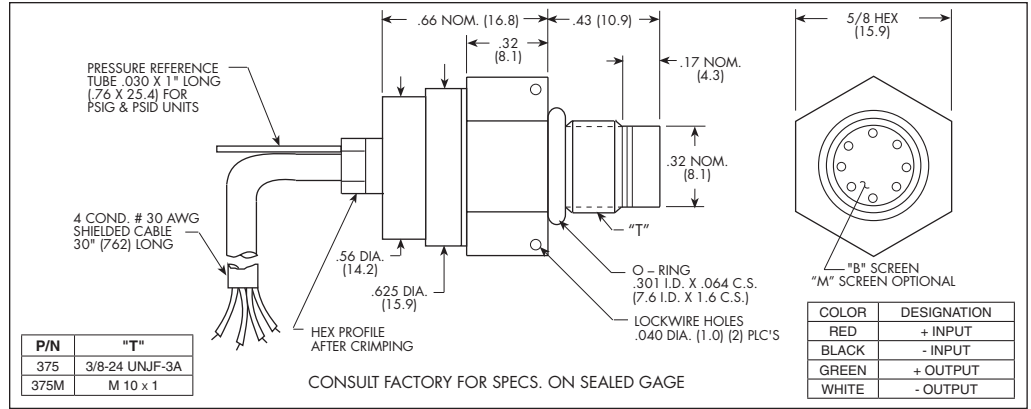
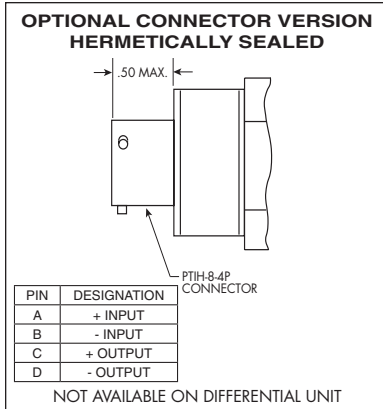


Kulite
HIGH TEMPERATURE IS® PRESSURE TRANSDUCER

XTEL-375 (M) SERIES

- Small Pressure Sensitive Area
- Patented Leadless Technology **VIS**®
- High Natural Frequency
- No Internal Lead Flexing
- Extra Low G Sensitivity
- -65°F To 450°F Temperature Capability

The ruggedness of this sensor has not compromised its performance. It was designed for ease of installation and will operate properly in any medium compatible with 15-5 SS or SiO₂. Coupled with high temperature, its Patented Leadless Construction makes it possible for the sensing unit to be installed in such a way that will not compromise its high natural frequency.



INPUT	0.35	0.7	1.7	3.5	7	17	35	70	140 BAR
Pressure Range	5	10	25	50	100	250	500	1000	2000 PSI
Operational Mode	Absolute, Gage, Sealed Gage, Differential					Absolute, Sealed Gage			
Over Pressure	2 Times Rated Pressure to a Maximum of 3000 PSI (210 BAR)								
Burst Pressure	3 Times Rated Pressure to a Maximum of 3000 PSI (210 BAR)								
Pressure Media	All Nonconductive, Noncorrosive Liquids or Gases (Most Conductive Liquids and Gases - Please Consult Factory)								
Rated Electrical Excitation	10 VDC/AC								
Maximum Electrical Excitation	15 VDC/AC								
Input Impedance	1000 Ohms (Min.)								
OUTPUT									
Output Impedance	1000 Ohms (Nom.)								
Full Scale Output (FSO)	100 mV (Nom.)								
Residual Unbalance	± 5 mV (Typ.)								
Combined Non-Linearity, Hysteresis and Repeatability	± 0.1% FSO BFSL (Typ.), ± 0.5% FSO (Max.)								
Resolution	Infinitesimal								
Natural Frequency (KHz) (Typ.)	150	175	240	300	380	550	700	1000	1400
Acceleration Sensitivity % FS/g	1.5x10 ⁻³	1.0x10 ⁻³	5.0x10 ⁻⁴	3.0x10 ⁻⁴	1.5x10 ⁻⁴	1.0x10 ⁻⁴	6.0x10 ⁻⁵	4.5x10 ⁻⁵	2.0x10 ⁻⁵
Perpendicular	2.2x10 ⁻⁴	1.4x10 ⁻⁴	6.0x10 ⁻⁵	4.0x10 ⁻⁵	2.0x10 ⁻⁵	9.0x10 ⁻⁶	6.0x10 ⁻⁶	3.0x10 ⁻⁶	2.0x10 ⁻⁶
Transverse	100 Megohm Min. @ 50 VDC								
ENVIRONMENTAL									
Operating Temperature Range	-65°F to +450°F (-55°C to +232°C)								
Compensated Temperature Range	+80°F to +450°F (+25°C to +232°C)								
Thermal Zero Shift	± 1% FS/100°F (Typ.)								
Thermal Sensitivity Shift	± 1% /100°F (Typ.)								
Linear Vibration	100g Peak, Sine up to 5000 Hz								
Humidity	100% Relative Humidity								
Mechanical Shock	20,000g, 100µ sec.								
PHYSICAL									
Electrical Connection	4 Conductor 30 AWG Shielded Cable 30" Long								
Weight	17 Grams (Max.) Excluding Cable								
Pressure Sensing Principle	Fully Active Four Arm Wheatstone Bridge Dielectrically Isolated Silicon on Silicon Patented Leadless Technology								
Mounting Torque	80Inch-Pounds (Max.) 6Nm								

Note: Custom pressure ranges, accuracies and mechanical configurations available. Dimensions are in inches. Dimensions in parenthesis are in millimeters. Continuous development and refinement of our products may result in specification changes without notice - all dimensions nominal. (H)