

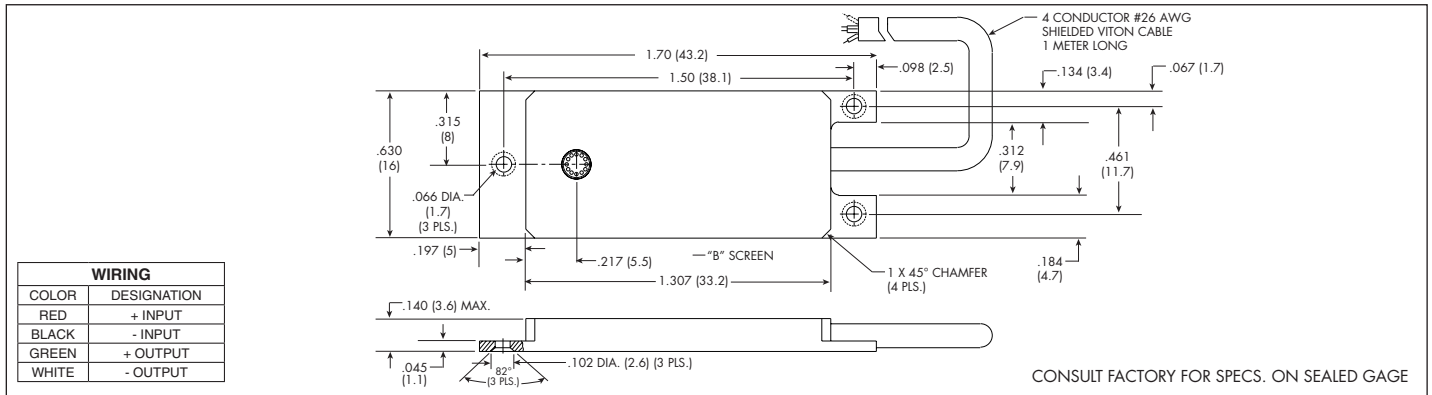


MINIATURE 5 VDC OUTPUT MICROPROCESSOR CORRECTED FLATPACK IS[®] PRESSURE TRANSDUCER

LLE-5DC-500 SERIES

- Wind Tunnel, Flight Test
- Nozzle and Fuselage Applications
- 5 VDC Output
- Moisture Protected
- High Accuracy Digital Correction
- Patented Leadless Technology VIS[®]

The LLE-5DC-500 series transducers are an excellent solution for Wind Tunnel, Flight Test, Nozzle (vectoring, etc.), and Fuselage pressure measurement applications. Their light weight and flat packaging makes them especially suitable for direct adherence to test parts where other means of pressure installation are undesirable or not possible. These transducers incorporate the latest Kulite patented and patent pending technologies in pressure sensor development. The Microprocessor Corrected output of these transducers enables them to have accuracies down to .25% FS over a fairly wide temperature range.



INPUT Pressure Range	1.7 25	3.5 50	7 100	17 250	35 BAR 500 PSI
Operational Mode	Absolute, Sealed Gage				
Over Pressure	2 Times Rated Pressure Range				
Burst Pressure	3 Times Rated Pressure Range				
Pressure Media	All Nonconductive, Noncorrosive Liquids or Gases (Most Conductive Liquids and Gases - Please Consult Factory)				
Rated Electrical Excitation	12 ± 4 VDC or 28 ± 4 VDC				
Maximum Electrical Current	25 mA				
OUTPUT Output Impedance	200 Ohms (Typ.)				
Full Scale Output (FSO)	5 V				
Residual Unbalance	0.5 VDC				
Total Error Band	± 0.25% (Typ.) (End Point Settings, Combined Non-Linearity, Hysteresis, Repeatability And All Thermal Effects Included)				
Resolution	Infinitesimal				
Frequency Response	DC to 2500 Hz				
Acceleration Sensitivity % FS/g Perpendicular Transverse	5.0x10 ⁻⁴ 6.0x10 ⁻⁵	3.0x10 ⁻⁴ 4.0x10 ⁻⁵	1.5x10 ⁻⁴ 2.0x10 ⁻⁵	1.0x10 ⁻⁴ 9.0x10 ⁻⁶	6.0x10 ⁻⁵ 6.0x10 ⁻⁶
Insulation Resistance	100 Megohm Min. @ 50 VDC				
ENVIRONMENTAL Operating Temperature Range	-40°F to +280°F (-40°C to +140°C)				
Compensated Temperature Range	-40°F to +250°F (-40°C to +120°C) Other Ranges Quoted on Request				
Linear Vibration	30,000g (Max.)				
Altitude	Unaffected				
Humidity	100% Relative Humidity				
Mechanical Shock	100g half Sine Wave 11 msec. Duration				
PHYSICAL Electrical Connection	4 Conductor 26 AWG Shielded Viton Cable 1 Meter				
Weight	4.5 Grams (Nom.) Excluding Cable				
Sensing Principle	Fully Active Four Arm Wheatstone Bridge Dielectrically Isolated Silicon on Silicon Patented Leadless Technology				

Note: Custom pressure ranges, accuracies and mechanical configurations available. Dimensions are in inches. Dimensions in parenthesis are in millimeters. Continuous development and refinement of our products may result in specification changes without notice - all dimensions nominal. (B)